

Data Sheet

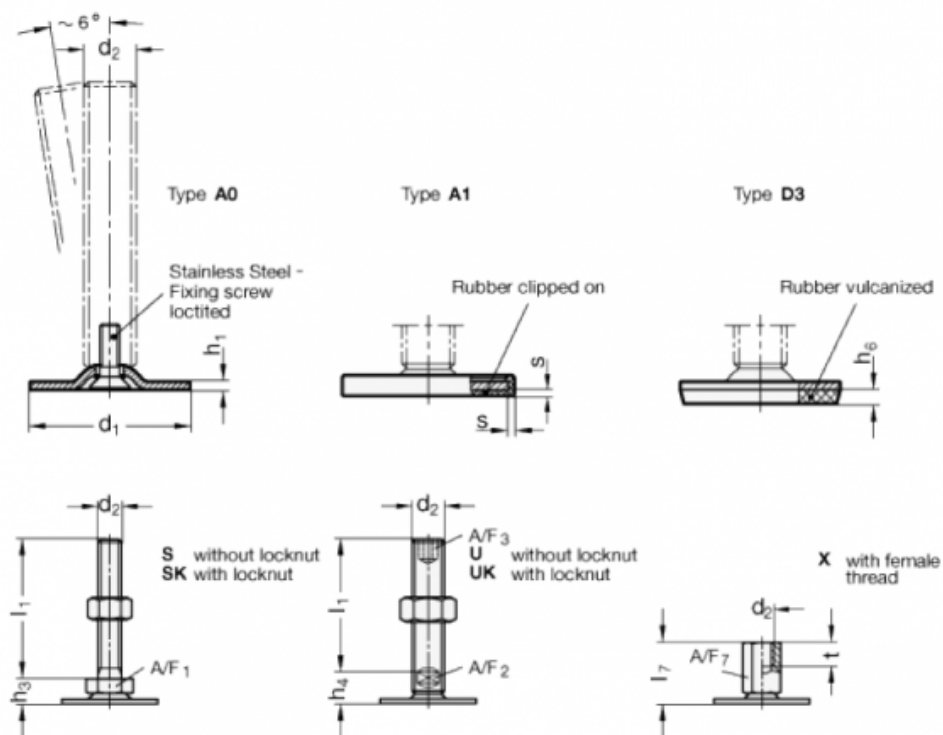


Article number: 204040M16200A0U

Description: E+G levelling foot
GN 40-40-M16-200-A0-U

Note: U Without nut, Hexagon socket at the top, Wrench flat at the bottom

Measures



A/F2 = 12
A/F3 = 8
d1 = 40
d2 = M16
h1 = 2
h4 = 17
h6 =
l1 = 200

s =